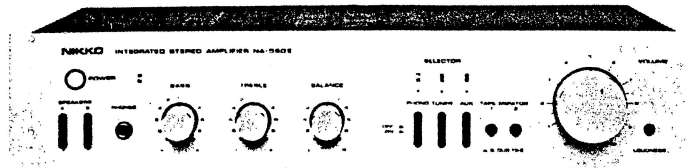


NIKKO

AMPLIFIER

NA-590II

INTEGRATED AMPLIFIER



TYPE AND VOLTAGE

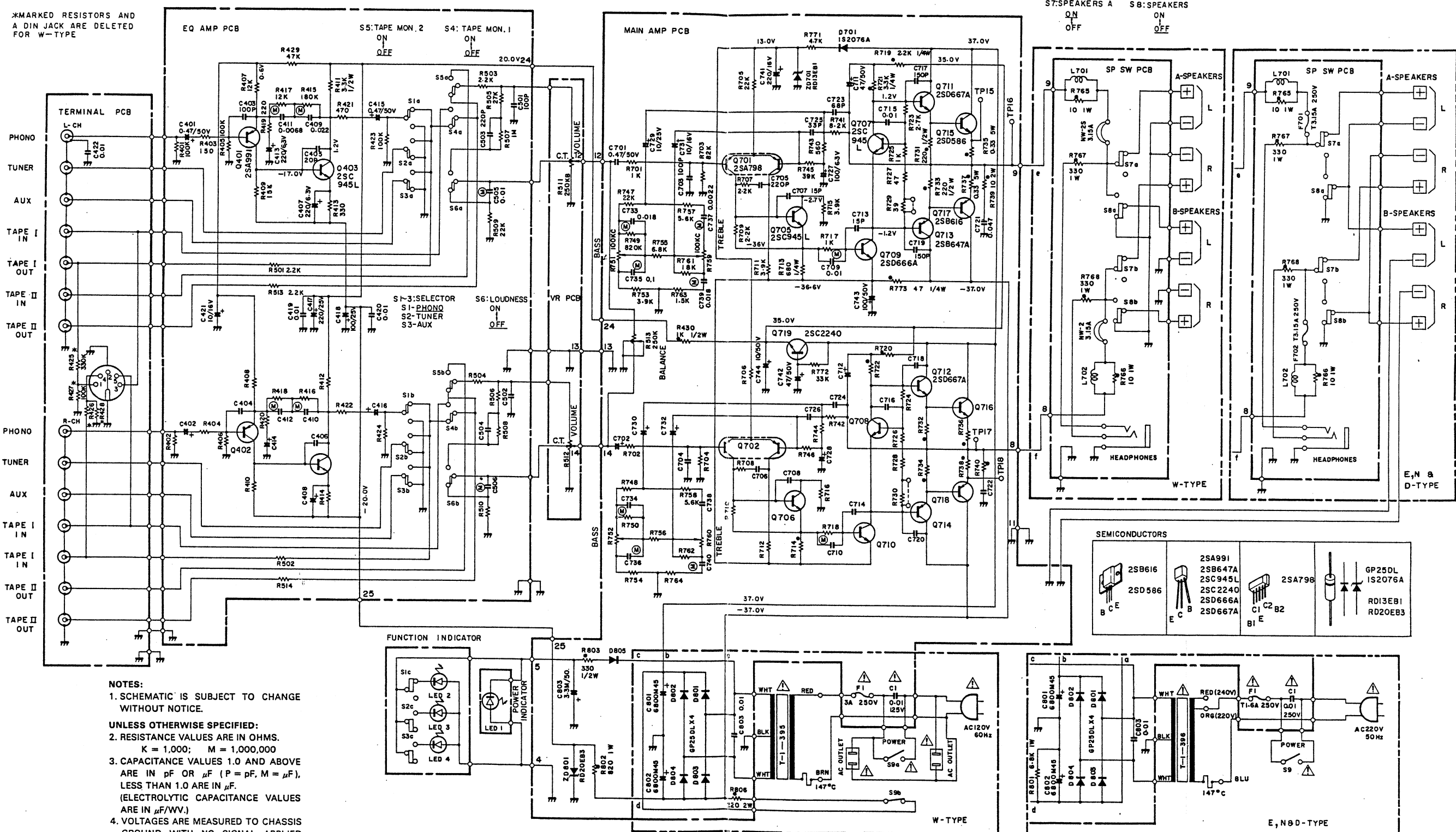
W-TYPE: UL and CSA type	120V AC
E -TYPE: NK-STD type	220/240V AC
N -TYPE: DEMKO and SEMKO type	
D -TYPE: DIN type	

SERVICE MANUAL

CONTENTS

SPECIFICATIONS	1
BLOCK DIAGRAM	2
DISASSEMBLY	3
POWER TRANSISTORS MOUNTING ASSEMBLY	4
ALIGNMENT	5
SCHEMATIC DIAGRAM	6, 7
P. C. BOARD	8, 9
PARTS LOCATION	10
PARTS LIST	11 ~ 13
SEMICONDUCTOR DATA,	
TRANSISTORS	14
DIODE, LED'S	14
ZENER DIODES	14

SCHEMATIC DIAGRAM



*MARKED RESISTORS AND A DIN JACK ARE DELETED FOR W-TYPE

- NOTES:**
1. SCHEMATIC IS SUBJECT TO CHANGE WITHOUT NOTICE.
 2. RESISTANCE VALUES ARE IN OHMS. K = 1,000; M = 1,000,000
 3. CAPACITANCE VALUES 1.0 AND ABOVE ARE IN pF OR μF (P = pF, M = μF), LESS THAN 1.0 ARE IN nF. (ELECTROLYTIC CAPACITANCE VALUES ARE IN μF/WV.)
 4. VOLTAGES ARE MEASURED TO CHASSIS GROUND WITH NO SIGNAL APPLIED USING A "DC VOLTMETER".
- SCHEMATIC SYMBOLS:**
- ⊕ POLYESTER FILM CAPACITOR
 - NONFLAMMABLE RESISTOR

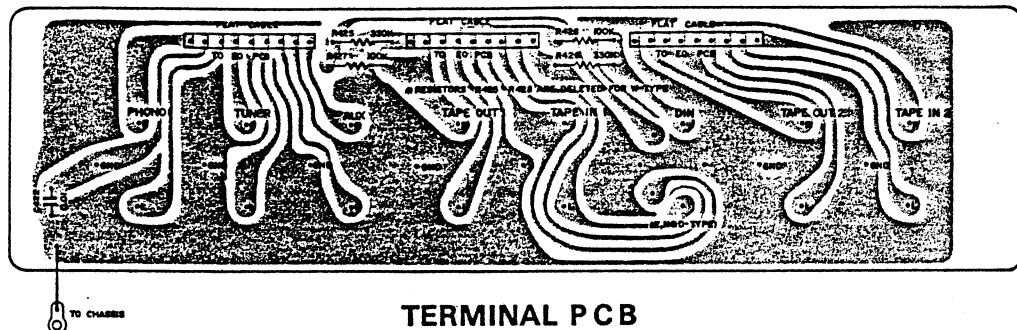
WARNING: Δ INDICATES SAFETY CRITICAL COMPONENTS FOR CONTINUED SAFETY. REPLACE SAFETY CRITICAL COMPONENTS ONLY WITH MANUFACTURER'S RECOMMENDED PARTS.

SEMICONDUCTORS

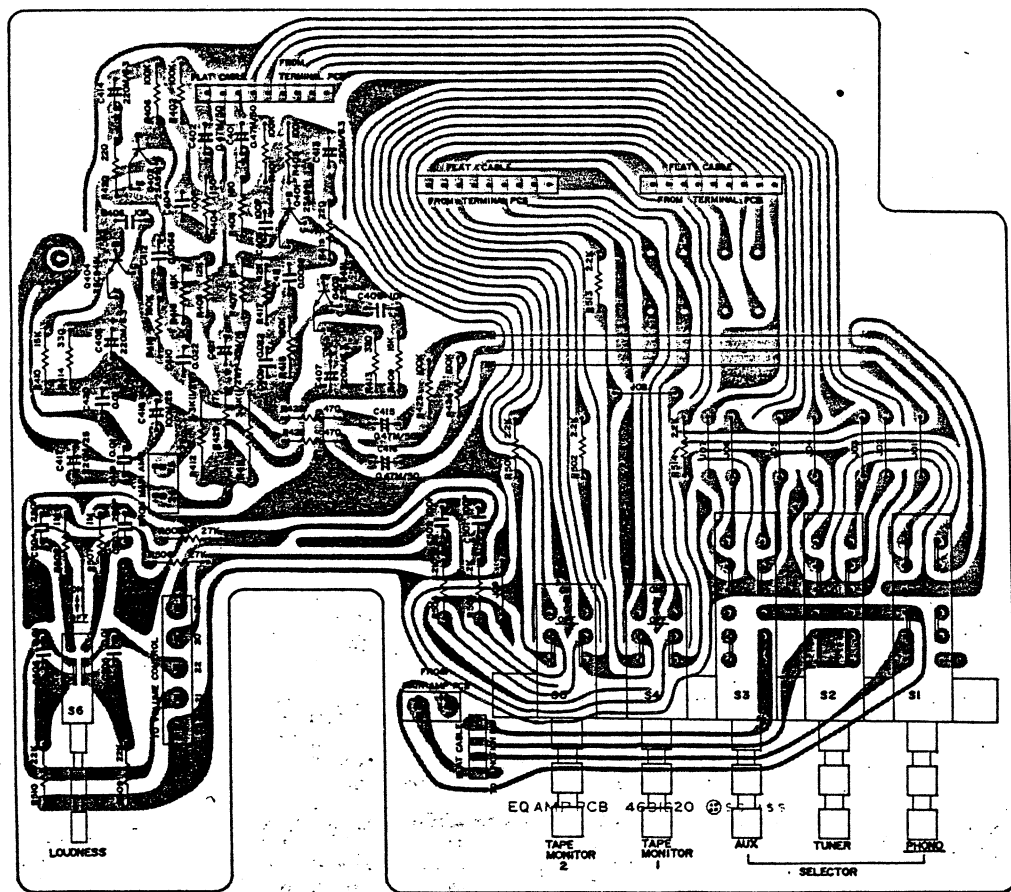
2SB616	2SA991	GP25DL
2SD586	2SB647A	IS2076A
	2SC945L	RD13EB1
	2SC2240	RD20EB3
	2SD666A	
	2SD667A	

Figure 3

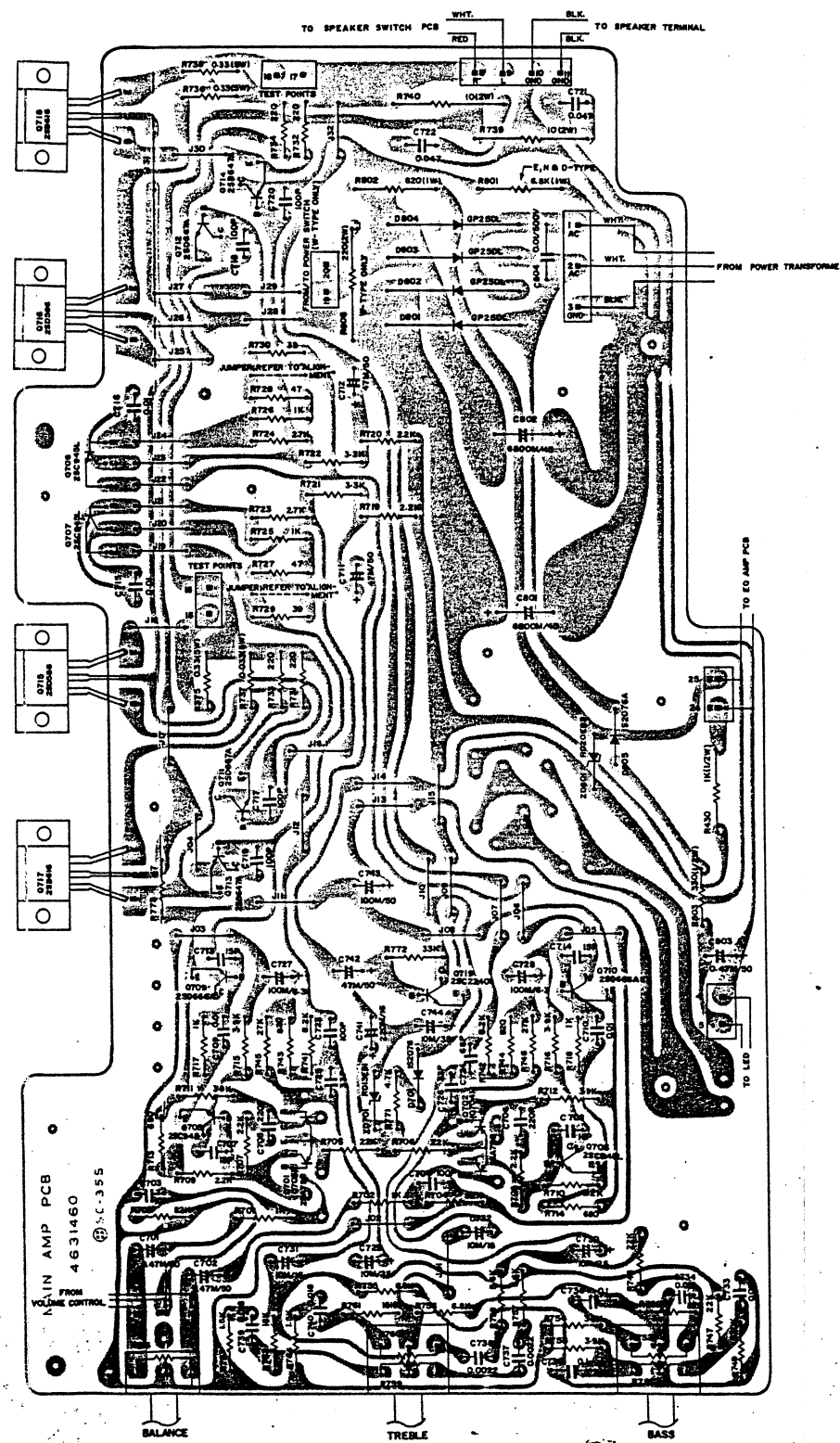
P.C. BOARD (BOTTOM VIEW) Figure 4



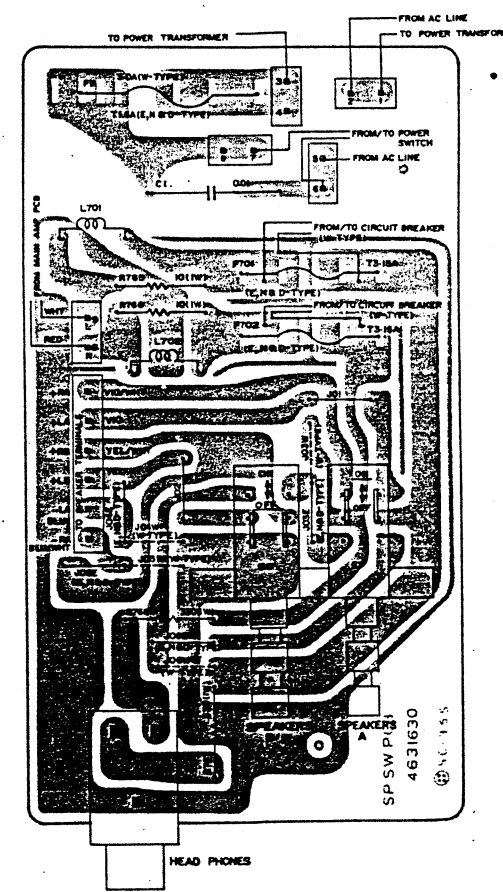
TERMINAL PCB



EQ AMP PCB



MAIN AMP PCB



SPEAKERS SWITCH PCB